

Redwood Steel Services

**Structural Steel
& Architectural
Metalwork**

**A division of Redwood
Professionals Ltd**

Who are RSS?

RSS (Redwood Steel Services) have systems and procedures in place for the thorough and safe placement of contractors on LUL (London Underground), DLR (Docklands Light Railway) and BAA (Airport Security referencing). Our enthusiasm to take what at first may appear to be a complicated contract means our services spread wider than most.

As part of Redwood Professionals Ltd, we have an excellent in-house Marketing Department and the freedom to provide training solutions.

Our Business Support Administrators provide a tailored service for each client in order to make the day to day control of contractors simpler and easier.

Let us know what you think you may require and we will always endeavour to cater for you, over and above the standard you expect from a recruitment agency.

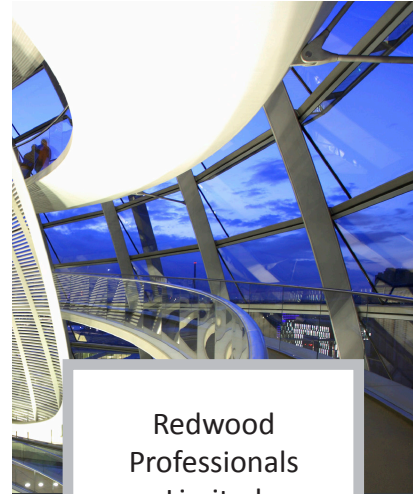
Looking to provide complete recruitment solutions, RSS prides itself on meticulous and comprehensive levels of service that show a real understanding of your business.

With a genuine interest in the steel and Architectural industries and vast experience in the different sub-sectors, we adhere to the minimum standards required for complete compliance. From the first point of contact to the end of the contract, we aim to go a step further than just "getting the job filled". We pride ourselves on our cost effective way of recruiting, we offer a competitive rate which eliminates the cost of travel and accommodation that you may incur when using sub-contract companies by selecting labour nationwide from our comprehensive database.

Once you have decided you would like to work with us, we will endeavour to personalise our service to suit the way your business works and even how each individual site works. We have a range of systems and procedures in place to suit this. If you would like more information on how we provide a bespoke labour recruitment service call us today on 0845 270 6862.

Careers on the Web

www.redwood-professionals.com



Redwood
Professionals
Limited

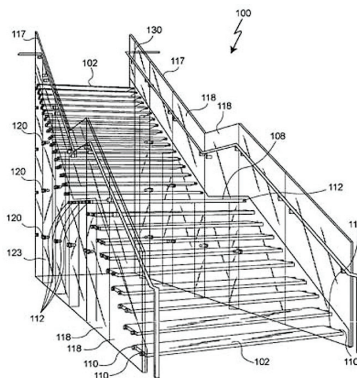
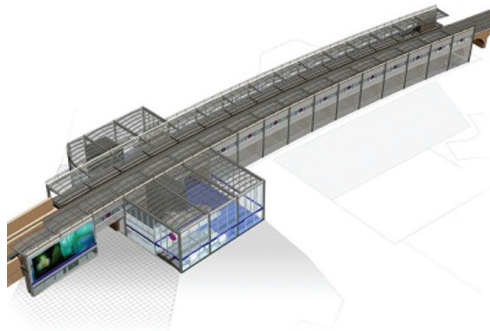
*A member of the
Redwood Group*

Providing Recruitment Solutions?

With a combined experience of 18 years supplying quality labour to the Structural Steel and Architectural Metalwork Industries, Redwood Steel Services has a depth in knowledge that, whatever problem arises we can provide the recruitment solution.

Redwood Steel specialise in the recruitment of:-

- Architectural Metalwork Installers
- Semi-Skilled Installers
- Labourers
- Fabricator Welders
- Plate Welders
- Coded Welders EN287-1; 2004
- Steel Erectors
- CPCS Plant Operators
- Cladders
- Glazers
- Curtain Wallers
- Carpenters
- Joiners
- CAD Draughtsman
- Senior Site Staff
 - Estimators
 - Site Engineers
 - Project Engineers
 - Site Supervisors/Managers



Redwood
Professionals
Limited

*A member of the
Redwood Group*

Careers on the Web

www.redwood-professionals.com

Contact Redwood Steel Professionals today on

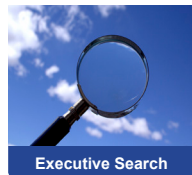
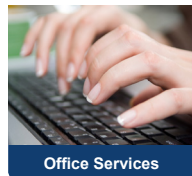
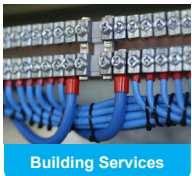
T. 0845 270 6862
E. steel@redwood-professionals.com

Suite 4.01
Saunders House
52-53 The Mall
London
W3 3TA

Redwood
Professionals
Limited

*A member of the
Redwood Group*

Take a look at what else Redwood Professionals does...



Careers on the Web

www.redwood-professionals.com

